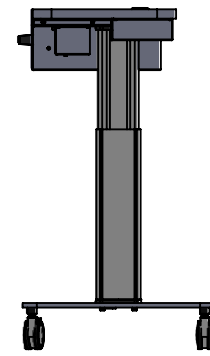
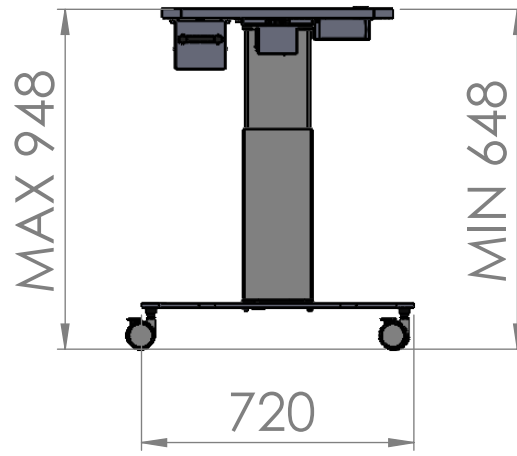
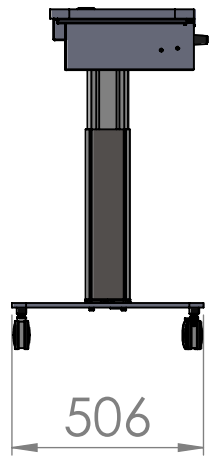
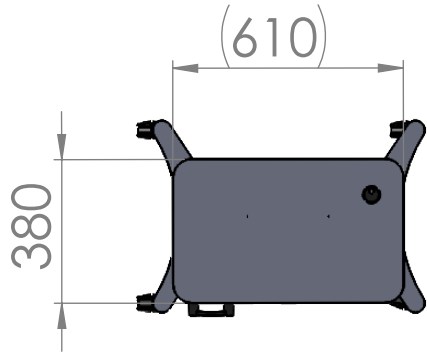


| REVISIONS | | | |
|-----------|-------------|------|----------|
| ISS | DESCRIPTION | DATE | APPROVED |
| | | | |



NOTES:
1 REMOVE ALL BURRS AND SHARP EDGES

UNLESS OTHERWISE SPECIFIED:
DIMENSIONS ARE IN MILLIMETERS
TOLERANCES:
LINEAR: +0.3
ANGULAR: +0.3

BASE DESIGN LTD
Tel 01371 876479
www.base-design.co.uk

| | NAME | SIGNATURE | DATE |
|--------|-----------|-----------|------|
| DRAWN | D SPENCER | | - |
| CHK'D | | | |
| APP'VD | | | |

FINISH: -
MATERIAL: -

| DESCRIPTION | | REV | PAPER SIZE |
|--------------|--|-----|------------|
| - | | 1 | A4 |
| PART NUMBER | | | |
| TCL-164 SIZE | | | |